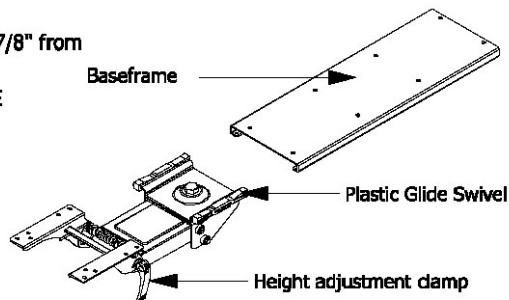


Mounting Template and Instructions for L38411C

1. Locate and tape template to underside of desk top. Front edge of Baseframe should be 7/8" from front of desk top.
2. Drill eight (8) 1/16" diameter by 5/8" deep pilot holes as shown on template . (NOTE: BE CAREFUL NOT TO DRILL THRU TOP OF DESK)
3. Secure base frame to desk using the eight (8) #12 x 3/4" long wood screws provided.
4. Slide arm assembly into front of Baseframe to the stored position.
5. Mount two(2) plastic bumpers into front of base frame. Secure with two (2) black self-tapping screws.
6. Pull arm forward and mount the keyboard tray to the arm with the remaining four (4) black self-tapping screws and four (4) locking nuts.



TRAY & DOCUMENT HOLDER ASSEMBLY

