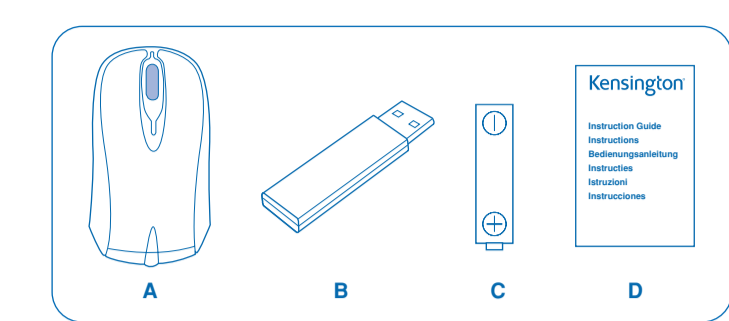


Kensington

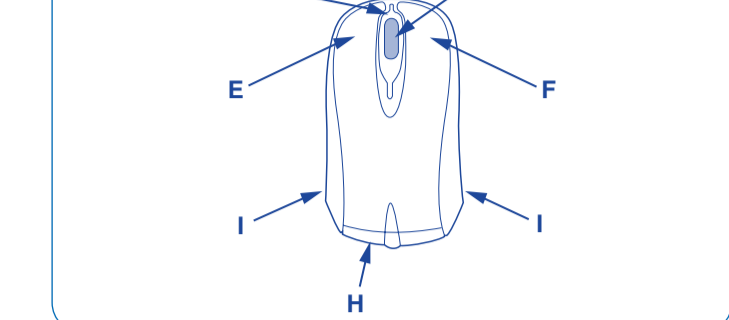
Si750m Notebook Wireless Laser Mouse

Instruction Guide Guide d'instructions Bedienungsanleitung Instructieboekje Instrucioni Manual de instrucciones



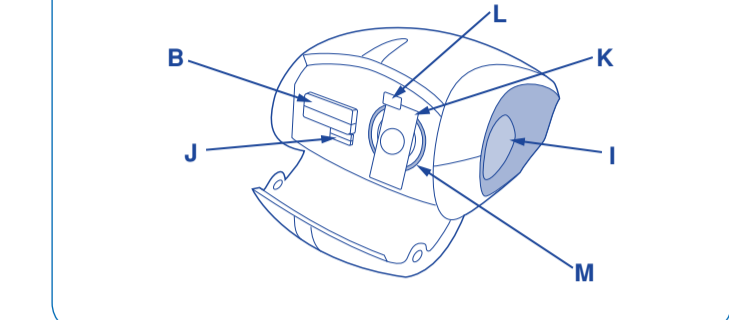
Your Si750m Notebook Wireless Laser Mouse requires one (1) AA battery (C). To access the battery, release the battery contact by pushing up on the clip (L). The battery contact (K) will open.

Place the battery slot (M), negative end in first. Push the battery contact (K) back into place.



To release the USB Wireless Receiver (B) housed next to the battery, push the end of the receiver into the body of the mouse and release. The receiver will pop out.

Remove the receiver from the mouse and push to close the battery/receiver door.



Plug the USB Wireless Receiver into a USB port on your computer. The wireless connection is made automatically. If the mouse does not work properly, check the USB connection, the battery orientation and condition.

IMPORTANT: This wireless device is similar to an FM radio, the position of your computer and surrounding objects (especially metal objects) may affect your wireless reception and range (average range is approximately 30 meters or 30 feet).

Turning your Mouse On/Off Manually

Your mouse is designed to automatically turn off when you store the wireless USB receiver in its body. To turn your mouse off manually without storing the receiver in the mouse:

- Open the battery receiver door
- Push the On/Off Button (J) in until you feel it click into the off position.

Turn the mouse back on.

- Push again on the switch (J) and release your finger.
- The switch will pop out into the ON position.

Programming Your Mouse

You may program your mouse buttons by downloading the latest version of MouseWorks® software available at www.kensington.com.

To save battery power, turn off the mouse when not in use by sliding the USB receiver (B) into the mouse and pushing it in until it locks into place. When you feel a click, the mouse is off and you can conveniently carry your Si750m Notebook Wireless Laser Mouse with you.

Common Troubleshooting Steps

- Un-plug and re-plug the receiver.
- Install a fresh battery in the mouse
- Test the device on another USB port or computer.
- Some surfaces may "trick" the laser sensor, such as reflective surfaces like glass or mirrors. As a result this product will not work well on glass or mirror surfaces. The Laser sensor should perform well on all other surfaces.
- To save battery power, unplug the receiver and store it inside the mouse.

Important: Computer User Health Information

In recent years, medical attention on occupational injuries has identified normal, seemingly harmless activities as a potential cause of a wide range of problems collectively known as Repetitive Stress Injuries (RSI) or Cumulative Trauma Disorders (CTD). It is now recognized that any repetitive motion may contribute to these health problems. As a computer user, you might also be at risk.

By paying attention to the way you perform your work, use your computer and phone, play sports, and work around the house, you can identify the behaviors that may be putting you at risk. If you experience pain, swelling, numbness, or weakness in your wrists or hands (especially during sleep), see your physician immediately. These symptoms could mean that you are developing a repetitive stress injury that requires prompt medical attention. For more detailed information, consult your doctor.

Technical Support

Technical support is available to all registered users of Kensington products. There is no charge for technical support except the cost of the phone call, and long distance charges where applicable. Technical Support Contact information can be found on the back page of this manual.

Technical Support Tips

- You may find the answer to your problem in the Frequently Asked Questions (FAQ) section of the Support area on the Kensington Website: www.support.kensington.com.
- Call from a phone where you have access to your computer
- Be prepared to provide the following information:
 - Name, address, and telephone number
 - The name of the Kensington product
 - Make and model of your computer
 - Your system software and version
 - Symptoms of the problem and what led to them

5-Year Limited Warranty

KENSINGTON COMPUTER PRODUCTS GROUP ("KENSINGTON") warrants this product against defects in material and workmanship under normal use and service for five years from the original date of purchase. KENSINGTON, at its option, shall repair or replace the defective unit covered by this warranty. Please retain the dated sales receipt as evidence of the date of purchase. You will need it for any warranty service. In order to keep this warranty in effect, the product must have been handled and used as prescribed in the instructions accompanying this warranty. This warranty does not cover any damage due to accident, misuse, abuse or negligence. This warranty is valid only if the product is used with the equipment specified on the product box. Please check product box for details or call KENSINGTON technical support.

DISCLAIMER OF WARRANTY
EXCEPT FOR THE WARRANTY PROVIDED HEREIN, TO THE EXTENT PERMITTED BY LAW, KENSINGTON DISCLAIMS ALL WARRANTIES, EXPRESS OR IMPLIED, INCLUDING ALL WARRANTIES OF MERCHANTABILITY AND/OR FITNESS FOR A PARTICULAR PURPOSE, TO THE EXTENT THAT ANY IMPLIED WARRANTIES MAY NONETHELESS EXIST BY OPERATION OF LAW, ANY SUCH WARRANTIES ARE LIMITED TO THE FIVE-YEAR DURATION OF THIS WARRANTY. SOME STATES/PROVINCES DO NOT ALLOW LIMITATIONS ON HOW LONG AN IMPLIED WARRANTY LASTS, SO THE ABOVE LIMITATIONS MAY NOT APPLY TO YOU.

LIMITATION OF LIABILITY
REPAIR OR REPLACEMENT OF THIS PRODUCT, AS PROVIDED HEREIN, IS YOUR EXCLUSIVE REMEDY. KENSINGTON SHALL NOT BE LIABLE FOR ANY SPECIAL, INCIDENTAL OR CONSEQUENTIAL DAMAGES, INCLUDING, BUT NOT LIMITED TO, LOST REVENUES, LOST PROFITS, LOSS OF USE OF SOFTWARE, LOSS OR RECOVERY OF DATA, RENTAL OF REPLACEMENT EQUIPMENT, DOWNTIME, DAMAGE TO PROPERTY, AND THIRD-PARTY CLAIMS, ARISING OUT OF ANY THEORY OF RECOVERY, INCLUDING WARRANTY, CONTRACT, STATUTORY OR TORT. NOTWITHSTANDING THE TERM OF ANY LIMITED WARRANTY IMPLIED BY LAW, OR IN THE EVENT THAT ANY LIMITED WARRANTY FALLS TO ITS ESSENTIAL PURPOSE, IN NO EVENT WILL KENSINGTON'S ENTIRE LIABILITY EXCEED THE PURCHASE PRICE OF THIS PRODUCT. SOME STATES/PROVINCES DO NOT ALLOW THE EXCLUSION OR LIMITATION OF INCIDENTAL OR CONSEQUENTIAL DAMAGES. SO THE ABOVE LIMITATION OR EXCLUSION MAY NOT APPLY TO YOU. THIS WARRANTY GIVES YOU YOUR SPECIFIC LEGAL RIGHTS AND YOU MAY ALSO HAVE OTHER RIGHTS THAT VARY FROM STATE TO STATE AND PROVINCE TO PROVINCE.

RF Technical Specifications

Single Channel—RF Frequency 2.470 GHz

Federal Communications Commission Radio Frequency Interference Statement

Note: The Kensington Si750m Notebook Wireless Laser Mouse has been tested and found to comply with the limits for a Class B digital device, pursuant to Part 15 of the FCC Rules. These limits are designed to provide reasonable protection against harmful interference in a residential installation. If this equipment generates, uses and can radiate radio frequency energy and, if not installed and used in accordance with the instructions, may cause harmful interference to radio communications. However, there is no guarantee that interference will not occur in a particular installation. If this equipment causes harmful interference to radio or television reception, which can be determined by turning the equipment off and on, the user is encouraged to try to correct the interference by one or more of the following measures:

- Reorient or relocate the receiving antenna.
- Increase the separation between the equipment and receiver.
- Connect the equipment into an outlet on a circuit different from that to which the receiver is connected.
- Consult the dealer or an experienced radio/TV technician for help.

MODIFICATIONS: Modifications not expressly approved by Kensington may void the user's authority to operate the device under FCC regulations and must not be made.

SHIELDED CABLES: In order to meet FCC requirements, all connections to equipment using a Kensington input device should be made using only the shielded cables.

Declaration of Conformity Compliance Statement for the Kensington Si750m Notebook Wireless Laser Mouse

The Kensington Si750m Notebook Wireless Laser Mouse model no. 72269 complies with Part 15 of the FCC Rules. Operation is subject to two conditions: (1) This device may not cause harmful interference, and (2) this device must accept any interference received, including interference that may cause undesired operation. As defined in Section 2.909 of the FCC Rules, the responsible party for this device is Kensington Computer Products Group, 333 Twin Dolphin Drive, Redwood Shores, CA 94065, USA.

International Standards and Safety:

This laser device complies with International Standard IEC 60825-1:2001-08, Class 1 Laser Product and also complies with 21 CFR 1040.10 and 1040.1, except for deviations pursuant to Laser Notice No. 50, dated July 26, 2001:

- Emission of a parallel beam of infrared user-invisible light;
- Maximum Power of 716 microwatts CW, wavelength range 832-865 nanometers;
- Operating temp between 0 deg C (32 deg F) to 40 deg C (104 deg F). CAUTION: This device has no serviceable parts. Use of controls or adjustments or performance of procedures other than those specified herein may result in hazardous radiation exposure.

Safety and Usage Guidelines

- In the absence of proper operation and if customer initiated troubleshooting is unsuccessful, switch off device and call Kensington technical support.
- Do not disassemble product or expose it to liquid, humidity, moisture or temperatures outside the specified operating ranges of 0 deg C (32 deg F) to 40 deg C (104 deg F).
- If your product is exposed to out of range temperatures, switch it off and allow temperature to return to the normal operating range.

The Following Information is Only for EU-member States:

 The use of the symbol indicates that this product may not be treated as household waste. By ensuring this product is disposed of correctly, you will help prevent potential negative consequences for the environment and human health, which could otherwise be caused by inappropriate waste handling of this product. For more detailed information about recycling of this product, please contact your local city office, your household waste disposal service or the shop where you purchased the product.



Kensington is a registered U.S. trademark of ACCO Brands Corporation with legal registrations and pending applications in other countries throughout the world. All other registered and unregistered trademarks are the property of their respective owners. ©2006 Kensington Computer Products Group, a division of ACCO Brands. Any unauthorized copying, duplicating, or other reproduction of the contents hereof is prohibited without written consent from Kensington Computer Products Group. All rights reserved. 5/06

English

Getting Started

Your Si750m Notebook Wireless Laser Mouse is conveniently compact and easy to use. The mouse automatically turns off when its USB Wireless Receiver is secured in the body of the mouse allowing you to pack it away and carry it anywhere you go.

To begin using your Si750m Notebook Wireless Laser Mouse, you will need to:

- Open the Battery/Receiver Door
- Install the AA battery
- Eject the USB Wireless Receiver
- Ensure the switch is set to "on"
- Plug the USB Wireless Receiver into a USB port on your computer.

The Si750m Notebook Wireless Laser Mouse will automatically connect with the receiver and you should be ready to use your mouse.

Opening the Battery/Receiver Door

To open the battery/receiver door (H), squeeze the sides (I) of the mouse on the rubber grips. The battery door will drop open.

Battery Installation

Your Si750m Notebook Wireless Laser Mouse requires one (1) AA battery (C). To access the battery, release the battery contact by pushing up on the clip (L).

The battery contact (K) will open.

Place the battery in the battery slot (M), negative end in first. Push the battery contact (K) back into place.

Battery Indicator

Illuminates green	For 5 secs when first switched on	Unit is operational with between 40% and 100% battery life left
Flashes red	Every 2 sec (for 60 secs)	Unit is operational with up to 40% of battery life left
Flashes red	Every 1 sec (for 60 secs)	Unit is operational with up to 10% of battery life left
Does Not Illuminate		Battery is dead

Ejecting the USB Wireless Receiver

(B) housed next to the battery, push the end of the receiver into the body of the mouse and release. The receiver will pop out.

Remove the receiver from the mouse and push to close the battery/receiver door.

Making a Connection

Plug the USB Wireless Receiver into a USB port on your computer.

The wireless connection is made automatically. If the mouse does not work properly, check the USB connection, the battery orientation and condition.

IMPORTANT: This wireless device is similar to an FM radio, the position of your computer and surrounding objects (especially metal objects) may affect your wireless reception and range (average range is approximately 30 meters or 30 feet).

Turning your Mouse On/Off Manually

Your mouse is designed to automatically turn off when you store the wireless USB receiver in its body. To turn your mouse off manually without storing the receiver in the mouse:

- Open the battery receiver door
- Push the On/Off Button (J) in until you feel it click into the off position.

Turn the mouse back on.

- Push again on the switch (J) and release your finger.
- The switch will pop out into the ON position.

Programming Your Mouse

You may program your mouse buttons by downloading the latest version of MouseWorks® software available at www.kensington.com.

To save battery power, turn off the mouse when not in use by sliding the USB receiver (B) into the mouse and pushing it in until it locks into place. When you feel a click, the mouse is off and you can conveniently carry your Si750m Notebook Wireless Laser Mouse with you.

Common Troubleshooting Steps

- Un-plug and re-plug the receiver.
- Install a fresh battery in the mouse
- Test the device on another USB port or computer.
- Some surfaces may "trick" the laser sensor, such as reflective surfaces like glass or mirrors. As a result this product will not work well on glass or mirror surfaces. The Laser sensor should perform well on all other surfaces.
- To save battery power, unplug the receiver and store it inside the mouse.

Important: Computer User Health Information

In recent years, medical attention on occupational injuries has identified normal, seemingly harmless activities as a potential cause of a wide range of problems collectively known as Repetitive Stress Injuries (RSI) or Cumulative Trauma Disorders (CTD). It is now recognized that any repetitive motion may contribute to these health problems. As a computer user, you might also be at risk.

By paying attention to the way you perform your work, use your computer and phone, play sports, and work around the house, you can identify the behaviors that may be putting you at risk. If you experience pain, swelling, numbness, or weakness in your wrists or hands (especially during sleep), see your physician immediately. These symptoms could mean that you are developing a repetitive stress injury that requires prompt medical attention. For more detailed information, consult your doctor.

Technical Support

Technical support is available to all registered users of Kensington products. There is no charge for technical support except the cost of the phone call, and long distance charges where applicable. Technical Support Contact information can be found on the back page of this manual.

Technical Support Tips

- You may find the answer to your problem in the Frequently Asked Questions (FAQ) section of the Support area on the Kensington Website: www.support.kensington.com.
- Call from a phone where you have access to your computer
- Be prepared to provide the following information:
 - Name, address, and telephone number
 - The name of the Kensington product
 - Make and model of your computer
 - Your system software and version
 - Symptoms of the problem and what led to them

Assistance technique

Une assistance technique est disponible pour tous les utilisateurs de produits Kensington enregistrés. L'assistance technique est gratuite, hors coût d'appel téléphonique. Les coordonnées de l'assistance technique sont disponibles au dos de ce manuel.

Conseils de maintenance technique

Vous trouvez peut-être la réponse à votre problème dans la section Foire aux Questions (FAQ) de la rubrique Assistance du site Web de Kensington à l'adresse: www.kensington.com.

Vous devez avoir accès à votre ordinateur lorsque vous appelez l'assistance technique.

- Les informations suivantes seront demandées :
 - Nom, adresse et numéro de téléphone
 - Nom du produit Kensington
 - Fabricant et modèle de votre ordinateur
 - Logiciel et version de votre système
 - Symptômes du problème et faits qui en sont à l'origine

Garantie de 5 ans

KENSINGTON COMPUTER PRODUCTS GROUP («-après « KENSINGTON -») garantit ce produit contre tout vice de matériau et de fabrication dans le cadre d'une utilisation et d'un entretien normaux pendant une durée de cinq ans à compter de la date deachat. KENSINGTON se réserve le droit de décider de réparer ou de remplacer l'appareil défectueux couvert par cette garantie sans aucune limitation de durée. Veuillez conserver le produit et votre serande pendant tout service sous garantie. Pour que la garantie reste valide, le produit doit être manipulé et utilisé selon les instructions du manuel d'utilisation accompagnant cette garantie. Elle ne couvre pas les dommages causés par un accident, un usage impropre ou une négligence. Cette garantie n'est valable que si le produit est utilisé avec l'équipement spécifié sur l'emballage du produit. Veuillez vous y référer pour obtenir plus de détails ou contactez l'assistance technique de KENSINGTON.

DÉNI DE RESPONSABILITÉ

À L'EXCEPTION DE LA GARANTIE FOURNIE ICI, DANS LES LIMITES AUTORISÉES PAR LA LOI, KENSINGTON DÉCLINE TOUTE RESPONSABILITÉ, EXPRESSE OU IMPLICITE, Y COMPRIS TOUTE RESPONSABILITÉ DE QUALITÉ MARCHANDE ET/OU D'APTITUDE POUR UN USAGE PARTICULIER, DANS LA MESURE OÙ UNE GARANTIE IMPLICITE PEUT MÉANMOINS EXISTER PAR FORCE DE LOI. TOUTE GARANTIE DE CE TYPE EST LIMITEE À LA DURÉE CINQ ANS DE CETTE GARANTIE. CERTAINS ÉTATS/PROVINCES MAJORITAIREMENT PAS L'EXCLUSION OU LA LIMITATION DES DOMMAGES ACCIDENTELS OU INDIRECTS, LA LIMITATION OU EXCLUSION MENTIONNÉE CI-DESSUS PEUT DONC NE PAS VOUS ÊTRE APPLICABLE. CETTE GARANTIE VOUS DONNE DES DROITS LÉGAUX SPÉCIFIQUES ET VOUS ÊTEZ ÉGALEMENT BÉNÉFICIAIRE D'AUTRES DROITS QUI DIFFERENT D'UN ÉTAT À L'AUTRE ET D'UNE PROVINCE À L'AUTRE.

Spécifications techniques concernant les fréquences radio

Canal Unique—Fréquence radio 2,470 GHz

Déclaration de la Commission fédérale des communications (FCC) sur l'interférence des fréquences radio

Remarque : la souris Si750m Notebook Wireless Laser Mouse de Kensington a été testée et déclarée conforme aux limitations de puissance applicables aux périphériques numériques de classe B conformément à l'article 15 de la réglementation de la FCC. Ses restrictions ont peut but diffuser une protection raisonnable contre toute interférence nuisible dans une installation résidentielle. Cet appareil peut produire, utiliser et émettre des fréquences radio. S'il n'est pas installé ni utilisé conformément aux instructions, il risque d'engendrer des interférences nuisibles aux communications radio.

Tout risque d'interférences ne peut toutefois pas être entièrement évité. Si cet équipement provoque des interférences avec la réception de la radio ou de la télévision (à déterminer en allumant puis éteignant l'équipement), vous êtes invité à remédier en prenant une ou plusieurs des mesures citées ci-dessous :

- Réorienter ou déplacer l'antenne de réception.
- Éloigner l'équipement du récepteur.
- Connecter l'appareil sur une prise appartenant à un circuit différent de celui auquel est branché le récepteur.
- Consulter le revendeur ou un technicien radio/TV expérimenté.

MODIFICATIONS : les modifications qui n'ont pas été explicitement approuvées par Kensington peuvent entraîner l'obsolescence ou l'annulation de l'appareil dans le cadre des réglementations FCC et sont expressément interdites.

CBLE BLINDÉS : pour respecter les réglementations de la FCC, les connexions pour tout équipement utilisant un dispositif d'entrée Kensington doivent avoir lieu au moyen du câble blindé fourni.

Déclaration de conformité du produit Kensington Si750m Notebook Wireless Laser Mouse

Le produit Kensington Si750m Notebook Wireless Laser Mouse (72269) est conforme aux réglementations de la Partie 15 de des Règles de la FCC. Son utilisation est soumise à deux conditions : (1) ce dispositif ne doit pas générer d'interférences nuisibles et (2) il doit accepter tous les signaux brouillés, y compris les interférences non prévues, qui peuvent perturber son utilisation. Conformément à ce qui est défini dans la Section 2.909 des Règles de la FCC, la responsabilité de ce dispositif appartient à Kensington Computer Products Group, 333 Twin Dolphin Drive, Redwood Shores, CA 94065, États-Unis.

Normes internationales et sécurité :

Ce dispositif laser est conforme à la norme internationale IEC 60825-1:2001-08, produits laser de Classe 1, et est également conforme aux normes 21 CFR 1040.10 et 1040.1, excepté pour les cas où il se conforme à la Notice sur les appareils laser N° 50 datée du 26 juillet 2001 :

- Émission d'un rayon parallèle de lumière infrarouge invisible pour l'utilisateur ;
- Puissance maximale de 716 microwatts CW, plage de longueurs d'onde 832-865 nanomètres ;
- Température de fonctionnement entre 0°C et 40°C. ATTENTION : ce dispositif ne contient pas de pièces réparables. Utilisation de commandes, de réglages ou l'exécution de procédures autres que ceux spécifiés ici peut entraîner une exposition à des radiations dangereuses.

Directives de sécurité et d'utilisation.

- En cas de mauvais fonctionnement et si le dépannage entamé par le client s'avère infructueux, éteindre le dispositif et appeler l'assistance technique de Kensington.
- Ne pas démonter le produit ou le faire entrer en contact avec des liquides, l'exposer à l'humidité ou à des températures sortant des plages opérationnelles spécifiées, qui vont de 0° C à 40° C.
- Si votre produit est exposé à des températures extrêmes, l'éteindre et laisser la température revenir à la plage opérationnelle normale.

Les informations suivantes sont applicables uniquement dans les pays membres de l'Union Européenne :

 L'utilisation de ce symbole indique que ce produit ne peut pas être traité comme un déchet ménager ordinaire. En vous débarrassant de ce produit dans le respect de la réglementation en vigueur, vous contribuez à éviter les effets négatifs potentiels sur l'environnement et sur la santé humaine causés par un traitement inadéquat de ce produit. Veuillez consulter le service municipal compétent, le service de ramassage des ordures ou le revendeur du produit.

Kensington est une marque américaine déposée d'ACCO Brands Corporation avec des enregistrements publics et des applications en cours dans d'autres pays. Toutes les marques déposées ou non sont la propriété de leurs détenteurs respectifs. ©2006 Kensington Computer Products Group, une division d'ACCO Brands. Toute copie, duplication ou autre reproduction non autorisée du contenu ici présent est interdite sans l'autorisation par écrit de Kensington Computer Products Group. Tous droits réservés. 5/06

Démarrage

Votre souris Si750m Notebook Wireless Laser Mouse est pratique, compacte et facile à utiliser. La souris s'éteint automatiquement lorsque son récepteur USB sans fil est installé dans le corps de la souris, ce qui vous permet de la ranger et de l'emmener partout avec vous.

Pour commencer à utiliser votre Si750m Notebook Wireless Laser Mouse, vous devez :

- Ouvrir le volet du compartiment pile/récepteur
- Installation de la pile AA
- Extraire le récepteur USB sans fil
- Connecter le récepteur USB sans fil dans un port USB de votre ordinateur.

La Si750m Notebook Wireless Laser Mouse établit automatiquement la connexion avec le récepteur et vous pouvez utiliser votre souris sans attendre.

Ouverture du volet du compartiment pile/récepteur

Pour ouvrir le volet du compartiment pile/récepteur (H), pressez les côtés (I) de la souris au niveau des zones de saisie en caoutchouc. Le volet du compartiment à pile se détache.

Installation de la pile

Votre Si750m Notebook Wireless Laser Mouse contient une pile AA (C). Pour accéder à la pile, libérez le contact de la pile en poussant vers le haut sur le clip (L).

Le contact de la pile (K) s'ouvre.

Placez la pile dans le logement de la pile (M), le pôle négatif en premier. Remettez le contact en cuivre (K) à sa place.

Battery Indicator

Illuminates green	For 5 secs when first switched on	Unit is operational with between 40% and 100% battery life left
Flashes red	Every 2 sec (for 60 secs)	Unit is operational with up to 40% of battery life left
Flashes red	Every 1 sec (for 60 secs)	Unit is operational with up to 10% of battery life left
Does Not Illuminate		Battery is dead

Extraction du récepteur USB sans fil

Pour libérer le récepteur USB sans fil (B) logé à côté de la pile, poussez l'extrémité du récepteur dans le corps de la souris. Le récepteur s'extrait.

Enlevez le récepteur de la souris et refermez le volet du compartiment pile et récepteur.

Établissement d'une connexion

Connectez le récepteur USB sans fil dans un port USB de votre ordinateur.

La connexion sans fil s'établit automatiquement.

Si la souris ne fonctionne pas correctement, vérifiez la connexion USB, l'orientation et l'état de la pile.

IMPORTANT : ce dispositif sans fil est similaire à une radio FM. La position de votre ordinateur et les objets environnants (tout particulièrement les objets en métal) peuvent influencer la réception et la portée sans fil (la portée moyenne est d'environ 10 mètres).

Turning your Mouse On/Off Manually

Votre souris est conçue pour se mettre automatiquement hors tension lorsque vous y insérez le récepteur USB sans fil. Pour la mettre hors tension manuellement sans placer le récepteur dans la souris, procédez de la façon suivante :

- Ouvrez le volet du compartiment à pile du récepteur
- Appuyez sur l'interrupteur marche/arrêt jusqu'à ce qu'un dé clic se produise, indiquant qu'il est en position d'arrêt.

Pour remettre la souris sous tension :

- Appuyez de nouveau sur l'interrupteur (J) puis relâchez-le.
- L'interrupteur se met en position de marche.

Programmation de la souris

Vous pouvez programmer les boutons de votre souris en téléchargeant la dernière version du logiciel MouseWorks® disponible à l'adresse www.kensington.com.

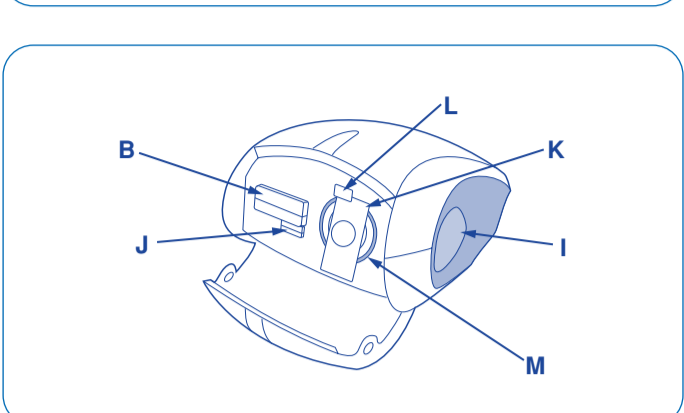
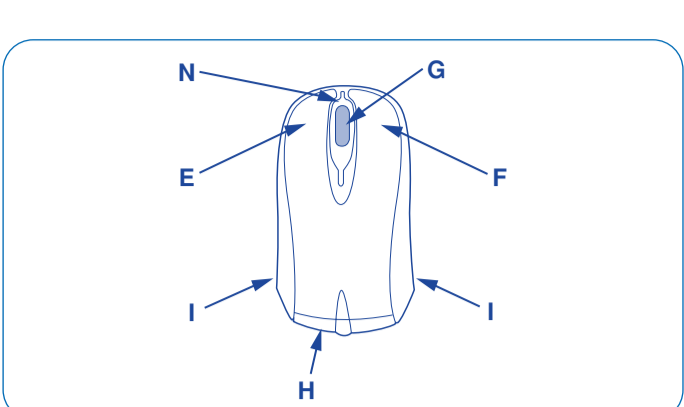
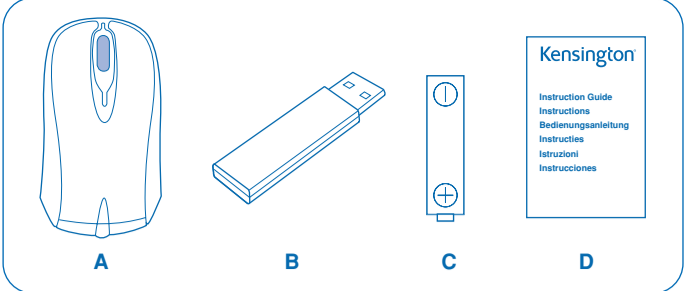
To save battery power, turn off the mouse when not in use by sliding the USB receiver (B) into the mouse and pushing it in until it locks into place. When you feel a click, the mouse is off and you can conveniently carry your Si750m Notebook Wireless Laser Mouse with you.

Common Troubleshooting Steps

- Un-plug and re-plug the receiver.
- Install a fresh battery in the mouse
- Test the device on another USB port or computer.
- Some surfaces may "trick" the laser sensor, such as reflective surfaces like glass or mirrors. As a result this product will not work well on glass or mirror surfaces. The Laser sensor should perform well on all other surfaces.
- To save battery power, unplug the receiver and store it inside the mouse.

Important: Computer User Health Information

In recent years, medical attention on occupational injuries has identified normal, seemingly harmless activities as a potential cause of a wide range of problems collectively known as Repetitive Stress Injuries (RSI) or Cumulative Trauma Disorders (CTD). It is now recognized that any repetitive motion may contribute to these health problems. As a computer user, you might also be at risk.



Contact opnemen met Kensington
Informatie over het opsporen van problemen alsmede antwoorden op veelgestelde vragen zijn 24 uur per dag beschikbaar op de website van Kensington op **www.kensington.com**.

Nederlands

Inhoud
A Si750m Notebook Wireless Laser Mouse
B Draadloze USB-ontvanger
C AA-batterij
D Instructieboekje
Onderdelen
E Klikken met linkerknop
F Klikken met rechterknop
G Scrollwieltye/klikken met middenknop
H Klepje batterij/ontvanger
I Klepje batterij/ontvanger
J Aan/uit-schakeelaar
K Contactpunt batterij
L Klem
M Batterijruimte
N Battery Indicator

Contenuto
A Si750m Notebook Wireless Laser Mouse
B Ricevitore wireless USB
C Batteria AA
D Istruzioni
Componenti
E Pulsante sinistro
F Pulsante destro
G Rotella/pulsante centrale
H Sportello batteria/ricettore
I Zone di sblocco sportello batteria
J Interruttore ON/OFF
K Contatto batteria
L Fermo
M Vano batteria
N Battery Indicator

Come contattare Kensington
Le informazioni sulla risoluzione dei problemi e le risposte alle domande frequenti sono disponibili 24 ore su 24 sul sito Web di Kensington www.kensington.com .

Italiano

Contenuto
A Si750m Notebook Wireless Laser Mouse
B Ricevitore wireless USB
C Batteria AA
D Istruzioni
Componenti
E Pulsante sinistro
F Pulsante destro
G Rotella/pulsante centrale
H Sportello batteria/ricettore
I Zone di sblocco sportello batteria
J Interruttore ON/OFF
K Contatto batteria
L Fermo
M Vano batteria
N Battery Indicator

Come contattare Kensington
Le informazioni sulla risoluzione dei problemi e le risposte alle domande frequenti sono disponibili 24 ore su 24 sul sito Web di Kensington www.kensington.com .

Español

Contenido
A Si750m Notebook Wireless Laser Mouse
B Receptor inalámbrico USB
C Pila AA
D Manual de instrucciones
Componentes
E Botón izquierdo
F Botón derecho
G Rueda de desplazamiento/ Botón central
H Cubierta de la pila/receptor
I Zonas para abrir la cubierta de la pila
J Interruptor de encendido/apagado
K Contacto de la pila
L Cierre
M Ranura de la pila
N Battery Indicator

Información de contacto de Kensington
La información de solución de problemas y las respuestas a las preguntas más frecuentes están disponibles 24 horas al día en el sitio Web de Kensington en www.kensington.com .

Informazione

Contenido
A Si750m Notebook Wireless Laser Mouse
B Receptor inalámbrico USB
C Pila AA
D Manual de instrucciones
Componentes
E Botón izquierdo
F Botón derecho
G Rueda de desplazamiento/ Botón central
H Cubierta de la pila/receptor
I Zonas para abrir la cubierta de la pila
J Interruptor de encendido/apagado
K Contacto de la pila
L Cierre
M Ranura de la pila
N Battery Indicator

Información de contacto de Kensington
La información de solución de problemas y las respuestas a las preguntas más frecuentes están disponibles 24 horas al día en el sitio Web de Kensington en www.kensington.com .

Informazione

Contenido
A Si750m Notebook Wireless Laser Mouse
B Receptor inalámbrico USB
C Pila AA
D Manual de instrucciones
Componentes
E Botón izquierdo
F Botón derecho
G Rueda de desplazamiento/ Botón central
H Cubierta de la pila/receptor
I Zonas para abrir la cubierta de la pila
J Interruptor de encendido/apagado
K Contacto de la pila
L Cierre
M Ranura de la pila
N Battery Indicator

Información de contacto de Kensington
La información de solución de problemas y las respuestas a las preguntas más frecuentes están disponibles 24 horas al día en el sitio Web de Kensington en www.kensington.com .

Informazione

Contenido
A Si750m Notebook Wireless Laser Mouse
B Receptor inalámbrico USB
C Pila AA
D Manual de instrucciones
Componentes
E Botón izquierdo
F Botón derecho
G Rueda de desplazamiento/ Botón central
H Cubierta de la pila/receptor
I Zonas para abrir la cubierta de la pila
J Interruptor de encendido/apagado
K Contacto de la pila
L Cierre
M Ranura de la pila
N Battery Indicator

Información de contacto de Kensington
La información de solución de problemas y las respuestas a las preguntas más frecuentes están disponibles 24 horas al día en el sitio Web de Kensington en www.kensington.com .

Informazione

Contenido
A Si750m Notebook Wireless Laser Mouse
B Receptor inalámbrico USB
C Pila AA
D Manual de instrucciones
Componentes
E Botón izquierdo
F Botón derecho
G Rueda de desplazamiento/ Botón central
H Cubierta de la pila/receptor
I Zonas para abrir la cubierta de la pila
J Interruptor de encendido/apagado
K Contacto de la pila
L Cierre
M Ranura de la pila
N Battery Indicator

Información de contacto de Kensington
La información de solución de problemas y las respuestas a las preguntas más frecuentes están disponibles 24 horas al día en el sitio Web de Kensington en www.kensington.com .

Informazione

Contenido
A Si750m Notebook Wireless Laser Mouse
B Receptor inalámbrico USB
C Pila AA
D Manual de instrucciones
Componentes
E Botón izquierdo
F Botón derecho
G Rueda de desplazamiento/ Botón central
H Cubierta de la pila/receptor
I Zonas para abrir la cubierta de la pila
J Interruptor de encendido/apagado
K Contacto de la pila
L Cierre
M Ranura de la pila
N Battery Indicator

Aan de slag

De Si750m Notebook Wireless Laser Mouse is compact van formaat en eenvoudig in gebruik. De muis wordt automatisch uitgeschakeld wanneer de draadloze USB-ontvanger van de muis wordt veelgesteld binnen in de behuizing van de muis; hierna kunt u de muis inpakken en overal mee naartoe nemen.

Vooraf u de Si750m Notebook Wireless Laser Mouse kunt gaan gebruiken, handelt u als volgt:

- Open het klepje van de batterij/ontvanger.
- De AA-batterij installeren.
- Werp de draadloze USB-ontvanger uit.
- Steek de draadloze USB-ontvanger in een USB-poort op uw computer.

De Si750m Notebook Wireless Laser Mouse wordt automatisch verbonden met de ontvanger en de muis is nu klaar voor gebruik.

Klepje van batterij/ontvanger openen

Voor het openen van het klepje van de batterij/ontvanger (H) drukt u de zijkant (I) van de muis stevig samen op de rubberen grepen. Het batterijdeurtje gaat nu open.

Installatie van de batterij

De Si750m Notebook Wireless Laser Mouse gebruikt slechts één (1) AA-batterij (C). Voor toegang tot de batterij geeft u het contactpunt van de batterij vrij door de klem (I) omhoog te drukken.

Het contactpunt van de batterij (K) wordt geopend.

Plaats de batterij in de batterijruimte (M), waarbij u de minpool eerst plaatst. Plaats het koperen contactpunt (K) van de batterij terug op zijn plaats.

Battery Indicator

Illuminates green	For 5 secs when first switched on	Unit is operational with between 40% and 100% battery life left
Flashes red	Every 2 sec (for 60 secs)	Unit is operational with up to 40% of battery life left
Flashes red	Every 1 sec (for 60 secs)	Unit is operational with up to 10% of battery life left
Does Not illuminate		Battery is dead

Draadloze USB-ontvanger uitwerpen

Voor het vrijgeven van de draadloze USB-ontvanger (B) naast de batterij drukt u het uiteinde van de ontvanger terug de muis in. De ontvanger springt nu los. Verwijder de ontvanger uit de muis en druk het klepje van de batterij en ontvanger dicht.

Een verbinding maken

Steek de draadloze USB-ontvanger in een USB-poort op uw computer.

De draadloze verbinding wordt automatisch tot stand gebracht. Als de muis niet correct functioneert, controleer u de USB-verbinding, de richting waarin de batterij is geplaatst, en de staat van de batterij.

! BELANGRIJK: Dit draadloos apparaat ligt in zoverre op een FM-radio dat de plaats van de computer en objecten omheen (met name metalen objecten) van invloed kunnen zijn op de draadloze ontvangst en het bereik (met een gemiddeld bereik van ongeveer 10 meter).

De muis handmatig in- of uitschakelen

De muis is dusdanig ontworpen dat deze automatisch wordt uitgeschakeld wanneer u de draadloze USB-ontvanger opbergt in de daarvoor bestemde ruimte. U kunt de muis echter op de volgende wijze handmatig uitschakelen zonder de ontvanger in de muis op te bergein:

- Open het klepje van de batterij/ontvanger
- Druk Aan/Uit (J) stevig in totdat u voelt dat deze op de Uit-stand klikt.

De muis weer inschakelen:

- Druk opnieuw op de knop (J) en laat uw vinger los.
- De knop komt nu naar buiten in de Aan-stand.

De muis programmeren

U kunt de muis programmeren door de meest recente versie van de MouseWorks®-software te downloaden vanaf **www.kensington.com**.

Opslag van de ontvanger en verlenging van de levensduur van de batterij

Als u de batterij wilt sparen, schakel u de muis uit wanneer deze niet in gebruik is, door de USB-ontvanger (B) in de muis te schuiven totdat deze op zijn plaats klikt.

Wanneer u een klik voelt, is de muis uitgeschakeld en kunt u de Si750m Notebook Wireless Laser Mouse handig met u meenemen.

Stappen voor het opsporen van veelvoorkomende problemen

- Verwijder de ontvanger en plaats deze vervolgens opnieuw.
- Plaats een nieuwe batterij in de muis.
- Test het apparaat op een andere USB-poort of computer.
- Bepaalde oppervlakken, waaronder reflecterende oppervlakken zoals glas of spiegels, "verwarren" de sensor van de laser. Hierdoor werkt het product niet optimaal op glazen of spiegelende oppervlakken. De sensor van de laser dient correct te functioneren op alle andere oppervlakken.
- Voor het uitsparen van batterijvermogen koppelt u de ontvanger los en slaat u deze binnen in de muis op.

Belangrijk: Gezondheidsinformatie voor computergebruikers

In recente jaren zijn bij medisch onderzoek naar beroepsziekten en -letsel normale, ogenschijnlijk onschuldige handelingen naar voren gekomen die nu worden aangemerkt als de mogelijke oorzaak van een grote verscheidenheid aan problemen die alle worden aangeduid onder de noemer Repetitive Stress Injuries (RSI) of Cumulative Trauma Disorders (CTD). Men onderkent nu dat dergelijke zich herhalende bewegingen mogelijk bijdragen aan deze gezondheidsproblemen. Ook als computergebruiker loopt u mogelijk een risico.

Door aandacht te besteden aan de manier waarop u uw werk verricht, uw computer en telefoon gebruikt, aan sport doet en in en om het huis werkt, kunt u zelf vormen van gedrag onderkennen, die voor u een risico inhouden. Als u (met name tijdens uw slaap) last hebt van pijn, zwellingen, gevoelloosheid of zwaakte in uw polsen of handen, dient u onmiddellijk een arts te raadplegen. Deze symptomen kunnen erop duiden dat u (bijna) RSI-letsel hebt dat onmiddellijk medische aandacht behoeft. Raadpleeg uw arts voor meer gedetailleerde informatie.

Technische ondersteuning

Technische ondersteuning is beschikbaar voor alle geregistreerde gebruikers van Kensington-producten. Technische ondersteuning is gratis, met uitzondering van interlokale of internationale telefoongesprekken (indien van toepassing). Contactinformatie voor technische ondersteuning treft u aan op de achterzijde van deze handleiding.

Tips voor technische ondersteuning

- Mogelijk vindt u een antwoord op uw probleem in de sectie Frequently Asked Questions (FAQ - Veelgestelde vragen) van het ondersteuningsgedeelte van de Kensington-website: **www.kensington.com**.
- Als u opbelt, dient u tevens toegang tot uw computer te hebben
- Zorg ervoor dat u de volgende informatie bij de hand hebt:
 - Naam, adres en telefoonnummer
 - De naam van het Kensington-product
 - Merk en type computer
 - Uw systeemsoftware en versie
 - Symptomen van het probleem en de oorzaak ervan

Vijf jaar beperkte garantie

KENSINGTON COMPUTER PRODUCTS GROUP ("KENSINGTON") garandeert gedurende vijf jaar na datum van aanschaf dat dit product bij normaal gebruik vrij van defecten in materiaal en uitvoering. KENSINGTON heeft de keuze om het onder deze garantie vallende defecte apparaat te repareren of te vervangen. Bewaar uw aankoopbewijs als bewijs van de datum van aanschaf. U hebt het nodig voor elke service onder deze garantie. Deze garantie is alleen geldig als het product is en wordt gehanteerd en gebruikt volgens de bij deze garantie horende aanwijzingen. Bij deze garantie is niet inbegrepen schade als gevolg van een ongeval, verkeerd of onjuist gebruik, nalatigheid. Deze garantie is alleen geldig als het product wordt gebruikt in combinatie met de apparatuur die is aangegeven op de verpakking van het product. Lees de gegevens op de verpakking of neem contact op met Technische ondersteuning van KENSINGTON.

AFWIJZING VAN GARANTIE
NIET UITZONDERING VAN DE IN DIT DOCUMENT BESCHREVENE VERSTREKTE GARANTIE EN BINNEN DE BEPERKINGEN VAN DE WET, NIET INSCHLUITEN ALLE GARANTIES, EXPLICIET OF IMPLICIET, AF INSLUITEN ALLE GARANTIES TEN AANVAAN VAN VERKOPBAARHEID EN/OF GESCHIKTHEID VOOR EEN BEPAALD DOEL. IN ZOVERRE DAT WANNEER BEPAALDE IMPLICIETE GARANTIES DESONDANKS GELDIG ZIJN VAN RECHTSWEGE, DERGELIJKE GARANTIE NIET BEPERKT TOT EEN GARANTIEDUUR VAN VIJF JAAR. BEPAALDE STATEN OF LANDEN STAAN EEN BEPERKING TOE VAN DE DUUR VAN EEN IMPLICIETE GARANTIE, WAARDOR DE VOENSTANDEDE BEPERKING MOGELIJK NIET OP U VAN TOEPASSING IS.

BEPERKING VAN AANSPRAKELIJKHEID
REPARATIE OF VERVANGING VAN DIT PRODUCT ZALS HIERIN IS VOORZIEN, IS VAN ENIGE RECHT ALS CONSUMENT. KENSINGTON IS NIET AANSPRAKELIJK VOOR ENIGE BIZONDERE, INCIDENTELE OF VERVOLGOCHTBADE, INSLUITEND DOCH NIET BEPERKT TOT DERING VAN INKOMSTEN, DERING VAN WINSTEN, VERLIES VAN GEBRUIK VAN SOFTWARE, VERLIES OF HERSTEL VAN GEGEVENS, HUIJL OF VERVANGING VAN APPARATUUR, UITVAALD, SCHADE AAN EIGENDOM EN CLAIMS VAN DERDEN, WELKE KUNNEN VOORTVLOEIJEN UIT ENIGE THEORETISCHE BENADERING VAN HERSTEL, WAARONDER DIE MET BETREKKING TOT GARANTIE, CONTRACT, DE WET OF ONRECHTMAATIGE DAAD. NIET TOEGESTAANDE DE GELDGELDIGHEID VAN ENIGE BEPERKTE GARANTIE OF ENIGE GARANTIE OP BASIS VAN DE WET, OF INDIEN ENIGE BEPERKTE GARANTIE NIET VOLDOET AAN HAAR EIGENLIJKE DOEL, ZAL DE GEHEL AANSPRAKELIJKHEID VAN KENSINGTON NIJMME MEER BEDRAGEN DAN DE AANSCHAFPRIJS VAN DIT PRODUCT. IN BEPAALDE LANDEN EN STATEN IS DE UITSLUITING OF BEPERKING VAN INCIDENTELE OF VERVOLGOCHTBADE NIET TOEGESTAAN, IS DE BIVENVERKORDE BEPERING OF UITSLUITING MOGELIJK NIET OP U VAN TOEPASSING. DEZE GARANTIE BIJDT U SPECIFIEKE WETTELIJKE RECHTEN, TERWIJL U TEVENS MOGELIJKE ANDERE RECHTEN GENIET, DIE VERSCHILLEN VAN LAND TOT LAND EN VAN REGIO TOT REGIO.

Technische RF-gegevens

Enkelvoudig kanaal—RF-frequentie van 2,470 GHz

Federal Communications Commission Radio Frequency Interference Statement (FCC - Verklaring over interferentie van radiofrequentie)

Opmerking: de Kensington Si750m Notebook Wireless Laser Mouse is getest en in overeenstemming bevonden met de beperkingen van digitaal apparaat van Klasse B, zulks volgens Deel 15 van de FCC-voorschriften. Deze beperkingen zijn ontwikkeld om een redelijke mate van bescherming te bieden tegen schadelijke interferentie bij installatie in een huiselijke omgeving. Door deze apparatuur wordt radiofrequentie-energie voortgebracht en verbruikt, en kan dit type energie worden uitgestraald. Als de apparatuur niet volgens de instructies wordt geïnstalleerd en gebruikt, kan deze schadelijke radiostraling veroorzaken.

Eris eRter geen garantie dat de straling niet zal optreden in een specifieke configuratie. Als deze apparatuur schadelijke radio- of tv-straling veroorzaakt (ik kunt dit controleren door de apparatuur uit en weer in te schakelen), probeert u het probleem te verhelpen door een of meer van de volgende maatregelen uit te voeren:

- Verplaats de ontvangstantenne of wijzig de richting ervan.
- Ver groot de afstand tussen het apparaat en de ontvanger.
- Sluit het apparaat aan op een stopcontact dat zich op een ander circuit dan de ontvanger bevindt.
- Neem contact op met de leverancier of een ervaren radio-TV-technicus voor assistentie.

WIJZIGINGEN Wijzigingen die niet expliciet zijn gevergd door Kensington, kunnen het recht van de gebruiker volgens de FCC-voorschriften om dit apparaat te bedienen, nietig maken en dienen dan ook niet te worden aangebracht.

AFGESCHERMEDE KABELS Volgens de FCC-voorschriften moet de aansluiting op apparatuur met behulp van een Kensington- invoerapparaat bestaan uit de meegeleverde afgeschermde kabel.

Conformiteitsverklaring voor de Kensington Si750m Notebook Wireless Laser Mouse

De Kensington Si750m Notebook Wireless Laser Mouse, type nr. 72269, voldoet aan Deel 15 van de FCC-voorschriften. Het gebruik is onderworpen aan de volgende twee voorwaarden: (1) Het apparaat mag geen schadelijke radiostraling veroorzaken en (2) dit apparaat moet worden ontvanger radiostraling accepteren, inclusief radiostraling die de werking kan verstoren. Volgens bepalingen in Sectie 2.909 van de FCC-richtlijnen is de verantwoordelijke partij voor dit apparaat de Kensington Computer Products Group, 333 Twin Dolphin Drive, Redwood Shores, CA 94065, Verenigde Staten.

Internationale normen en veiligheids:

Dit Laserapparaat voldoet aan de internationale norm IEC 60825-1:2001-08, Klasse 1 Laserproduct, en tevens aan 21 CFR 1040.10 en 1040.11, met uitzondering van afwijkingen in naviging van Kennisgeving voor lasers, nr. 50 van 26 juli 2001.

- Emisie van een parallelle bundel infrarood, voor de gebruiker zichtbaar licht;
- Maximumvermogen van 716 microwatt continu, golfengebied van 832-865 nanometer;
- Bedrijfstemperatuur tussen 0 °C (32 °F) en 40 °C (104 °F). LET OP! Dit apparaat heeft geen onderhouds-gevoelige onderdelen. Gebruik van andere bevestigingsinstrumenten, prestaties of procedures dan de welke hierin staan aangegeven, kan leiden tot veiligheids- of op straling gebaseerde blootstelling.

Veiligheids- en gebruiksrichtlijnen

- Bij afwezigheid van de juiste werking als de klant er niet in slaagt om de problemen op te sporen, dient u het apparaat uit te schakelen en de technische ondersteuning van Kensington te bellen.
- Haal het product niet uit elkaar of stel het niet bloot aan vloeistoffen, luchtvochtigheid, vocht of temperaturen buiten het aangegeven bereidsgebied van 0 °C (32 °F) tot 40 °C (104 °F).
- Als uw product wordt blootgesteld aan lagere of hogere temperaturen, schakel u het apparaat uit en laat u de temperatuur terugkeren naar de normale bedrijfstemperatuur.

De volgende informatie is alleen van toepassing op listdaten van de EU:

Het gebruik van het pictogram geeft aan dat dit product niet als huishoudelijk afval mag worden verwerkt. Door dit product aan de juiste wijze weg te werpen, helpt u het voorkomen van mogelijke nadelige gevolgen voor het milieu en de volkgezondheid, die anders zou kunnen worden veroorzaakt door incorrecte afvalverwerking van dit product. Raadpleeg voor meer informatie over het recyclen van dit product de lokale overheid, de dienst voor verwerking van huishoudelijk afval of de winkel waarin u dit product hebt aangechaft.

Kensington is een gebedponeerd Amerikaans handelsmerk van ACCO Brands Corporation met verstrekte deponeringen en in behouding zijn aanvragen in andere landen over de gehele wereld. Alle andere gedrupteoreerd en niet gedrupteoreerd handelsmerken zijn de eigendom van hun respectieve eigenaars. © 2006 Kensington Computer Products Group, a division of ACCO Brands. Geen ongeautoriseerde vorm van kopiëren, dupliceren en reproductie anderszins is verboden als hierover geen schriftelijke toestemming is verleend door de Kensington Computer Products Group. Alle rechten voorbehouden. 5/06

Introduzione

Il Si750m Notebook Wireless Laser Mouse è comodo, compatto e di facile utilizzo. Quando il ricevitore wireless USB è posizionato all'interno del mouse, questo si spegne automaticamente, quindi può essere riposto e trasportato ovunque.

Per iniziare a utilizzare il Si750m Notebook Wireless Laser Mouse è necessario:

- Aprire lo sportello batteria/ricivitore.
- Inserire la batteria AA.
- Estrarre il ricevitore wireless USB.
- Collegare il ricevitore wireless USB a una porta USB del computer.

Il Si750m Notebook Wireless Laser Mouse si collegherà automaticamente al ricevitore e sarà subito pronto per l'uso.

Apertura dello sportello batteria/ricivitore

Per aprire lo sportello batteria/ricivitore (H), premere i lati gommati (I) del mouse.

Installazione della batteria

Il Si750m Notebook Wireless Laser Mouse richiede una (1) batteria AA (C). Per accedere alla batteria, sbloccare il contatto spingendo l'apposito fermo (L).

Il contatto della batteria (K) si aprirà.

Inserire la batteria nel rispettivo vano (M), inserendo prima il polo negativo.

Spingere nuovamente il contatto in rame (K) nella posizione originale.

Battery Indicator

Illuminates green	For 5 secs when first switched on	Unit is operational with between 40% and 100% battery life left
Flashes red	Every 2 sec (for 60 secs)	Unit is operational with up to 40% of battery life left
Flashes red	Every 1 sec (for 60 secs)	Unit is operational with up to 10% of battery life left
Does Not illuminate		Battery is dead

Estrazione del ricevitore wireless USB

Per estrarre il ricevitore wireless USB (B) posto accanto alla batteria, spingere l'estremità del ricevitore all'interno del mouse: il ricevitore scatterà verso l'esterno.

Estrarre il ricevitore dal mouse e chiudere lo sportello della batteria e del ricevitore.

Come stabilire la connessione

Collegare il ricevitore wireless USB a una porta USB del computer. La connessione wireless verrà stabilita automaticamente.

Se il mouse non funziona correttamente, controllare la connessione USB, l'orientamento e le condizioni della batteria.

! **IMPORTANTE:** questo dispositivo wireless è simile a una radio FM, quindi la posizione del computer e degli oggetti circostanti (specie gli oggetti metallici) può influenzare la ricezione e la portata wireless (la portata media è circa 10 metri).

Attivazione/disattivazione manuale del mouse

Il mouse è programmato per la disattivazione automatica quando viene inserito il ricevitore USB wireless al suo interno. Come disattiv